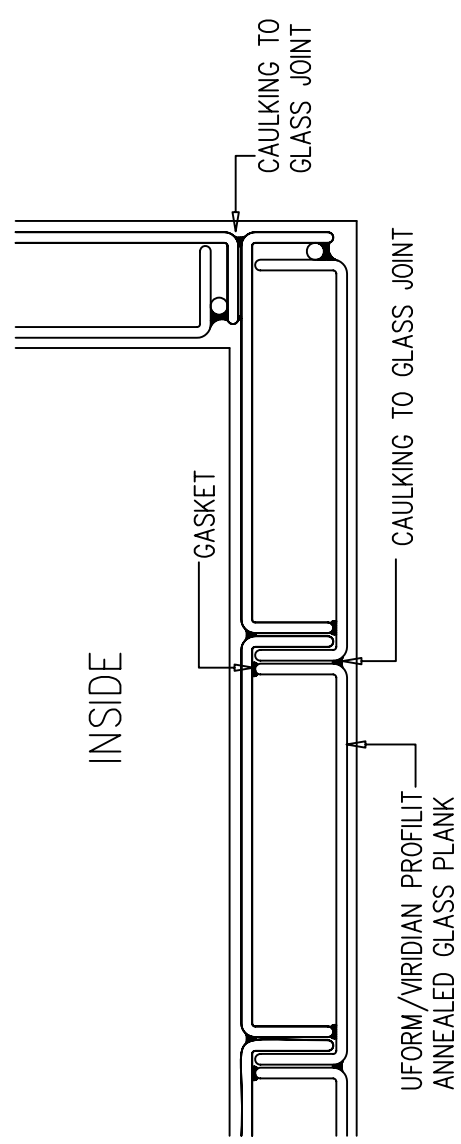
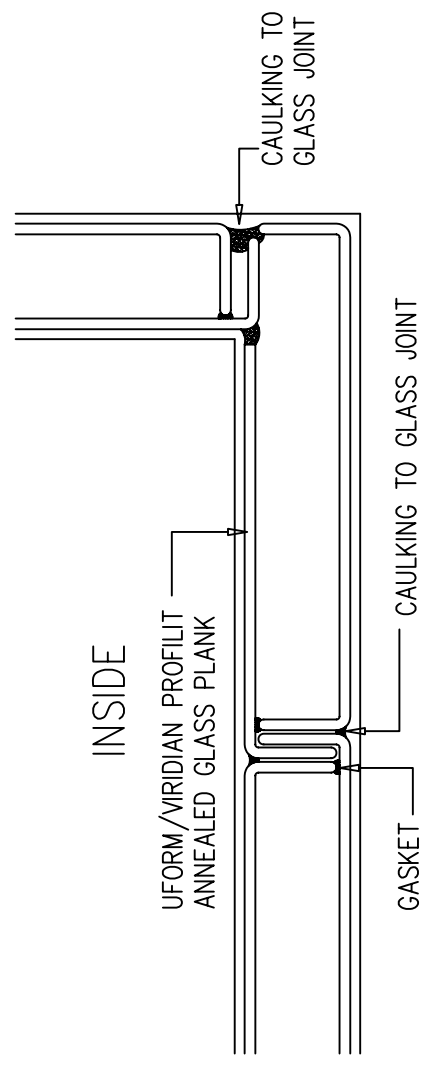


DETAIL 1
 PROFILIT JAMB DETAIL -- TO
 CONCRETE PANEL



DETAIL 2
 ALL GLASS CORNER

OR



DETAIL 2
 ALL GLASS CORNER

**NOTE: ALL GLASS
 CORNER DETAILS TO BE
 DETERMINED ON SITE**

Rev	Date	By	Revisions
-	-	-	-
-	-	-	-
-	-	-	-
-	-	-	-
-	-	-	-

52 KILBY ROAD, KEW EAST
 Phone: (03) 9859 7511
 Fax: (03) 9859 7522

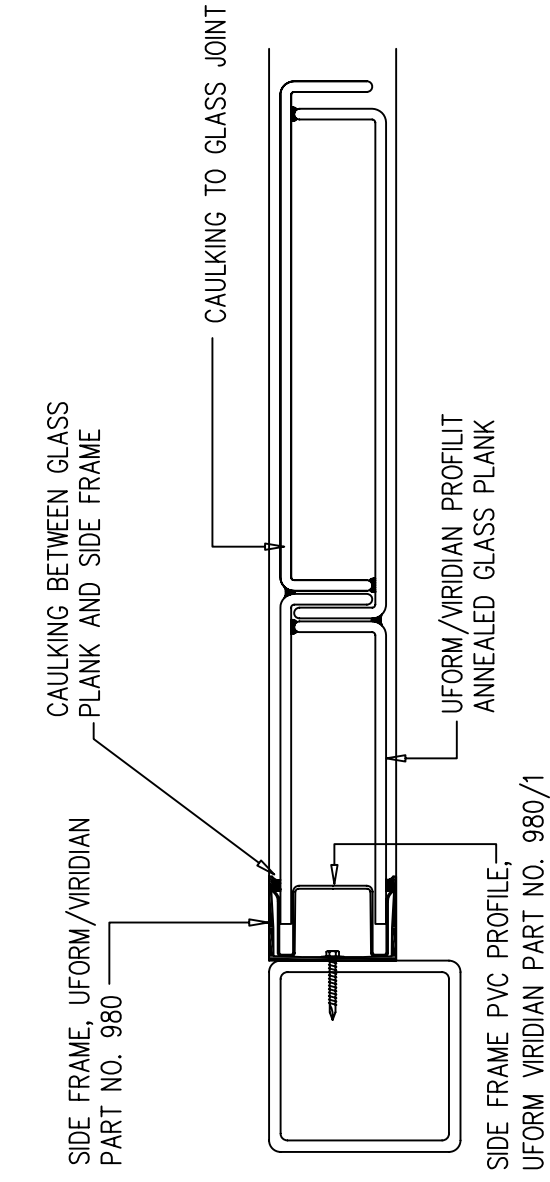
Australia wide provider of Profilit™

Project	STANDARD DETAILS
Title	PROFILIT JAMB & CORNER DETAILS

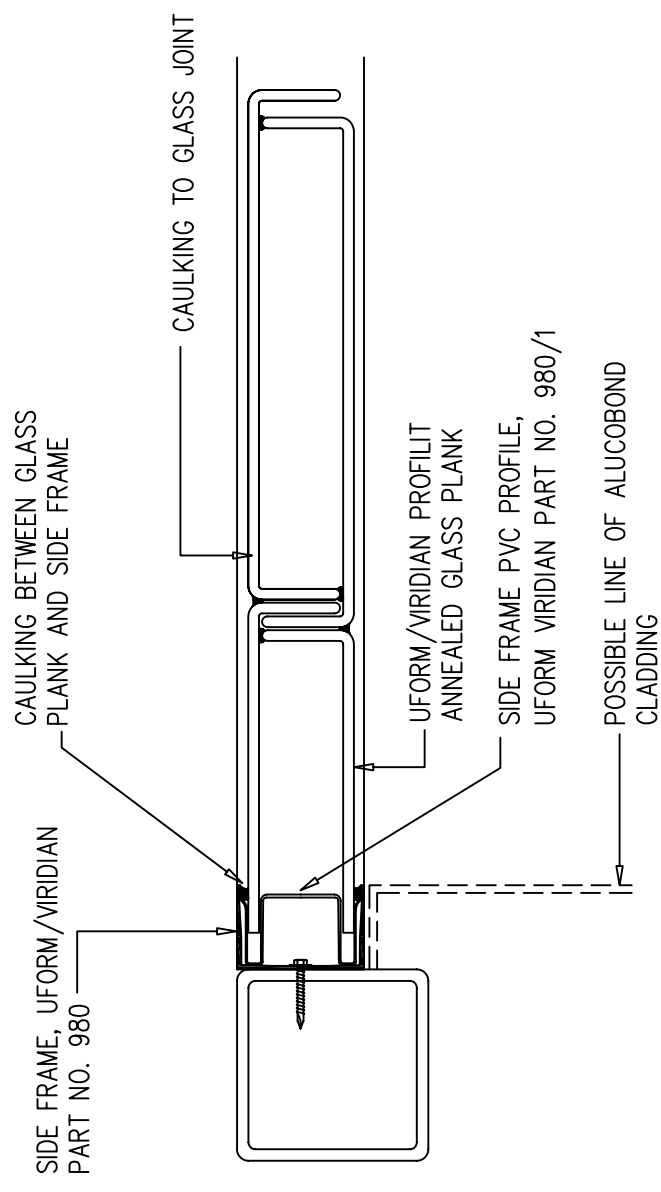
Builder	-
Architect	STANDARD DETAILS

Material	PILKINGTON PROFILIT K32/60/7
Colour	-

Job No.	K32/10/01	Scale	1:5 @ A3
Drawn	-	Tolerance	3 MM
Drawing No. / Panel No.	SK. 9	Date	12-03-2010
			REVISION



DETAIL 3
PROFILIT JAMB DETAIL -- TO COLUMN



DETAIL 4
PROFILIT JAMB DETAIL -- TO COLUMN
(WITH ALUCOBOND)

Rev	Date	By	Revisions
-	-	-	-
-	-	-	-
-	-	-	-
-	-	-	-
-	-	-	-
-	-	-	-



FORM
GLASS WALLING SYSTEM
Australia wide provider of Profilitt™

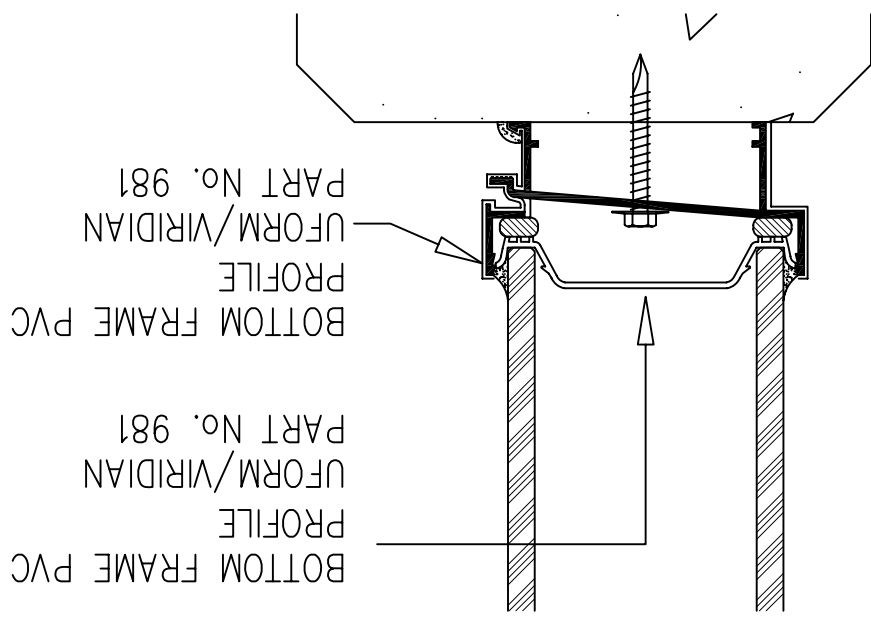
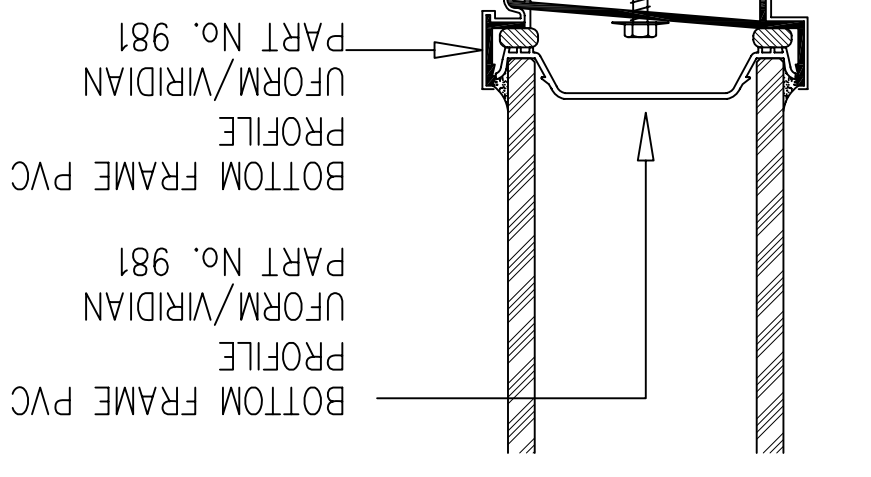
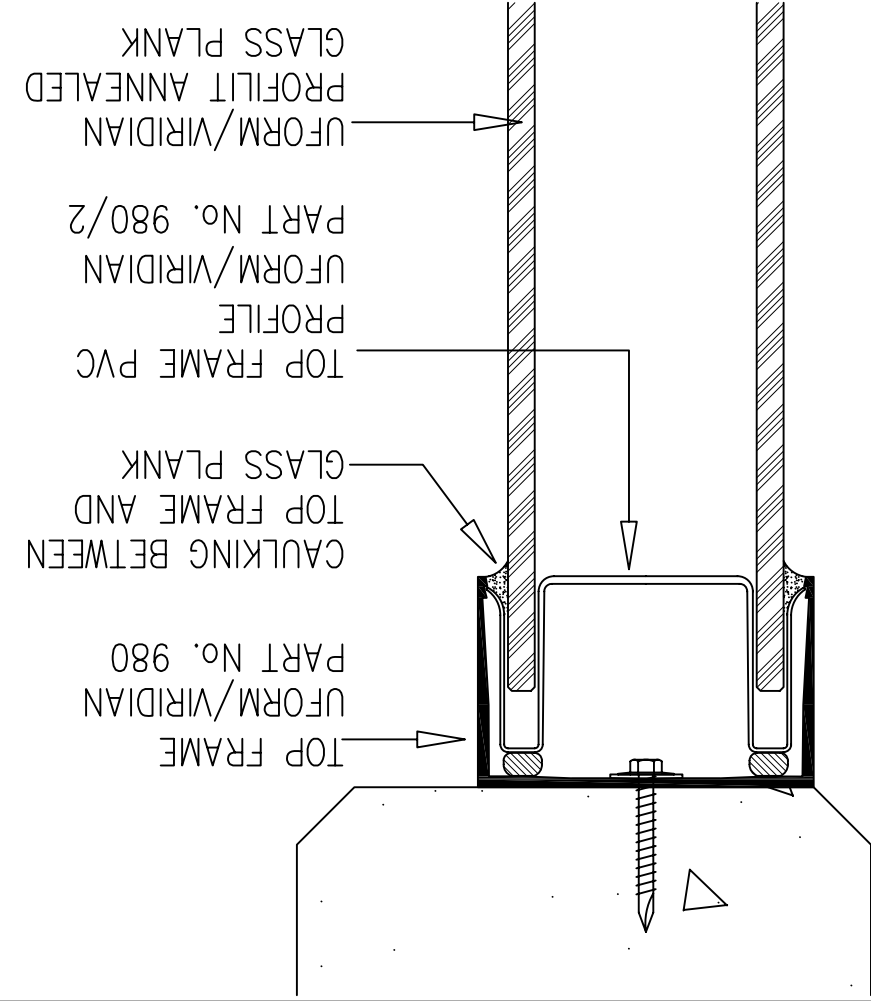
52 KILBY ROAD, KEW EAST
Phone: (03) 9859 7511
Fax: (03) 9859 7522

Project	STANDARD DETAILS
Title	PROFILIT JAMB DETAILS

Builder	-
Architect	STANDARD DETAILS

Material	PILKINGTON PROFILIT K32/60/7
Colour	-

Job No.	K32/10/01	Scale	1:5 @ A3
Drawn	-	Tolerance	3 MM
Drawing No. / Panel No.	SK. 10	Date	12-03-2010
			REVISION



DETAIL 5 AND DETAIL 8
 PROFILIT HEAD DETAIL TO CONCRETE

DETAIL 7
 PROFILIT HEAD & SILL DETAIL TO ANGLE

DETAIL 6
 PROFILIT SILL DETAIL TO CONCRETE

Rev	Date	By	Revisions
-	-	-	-
-	-	-	-
-	-	-	-
-	-	-	-
-	-	-	-

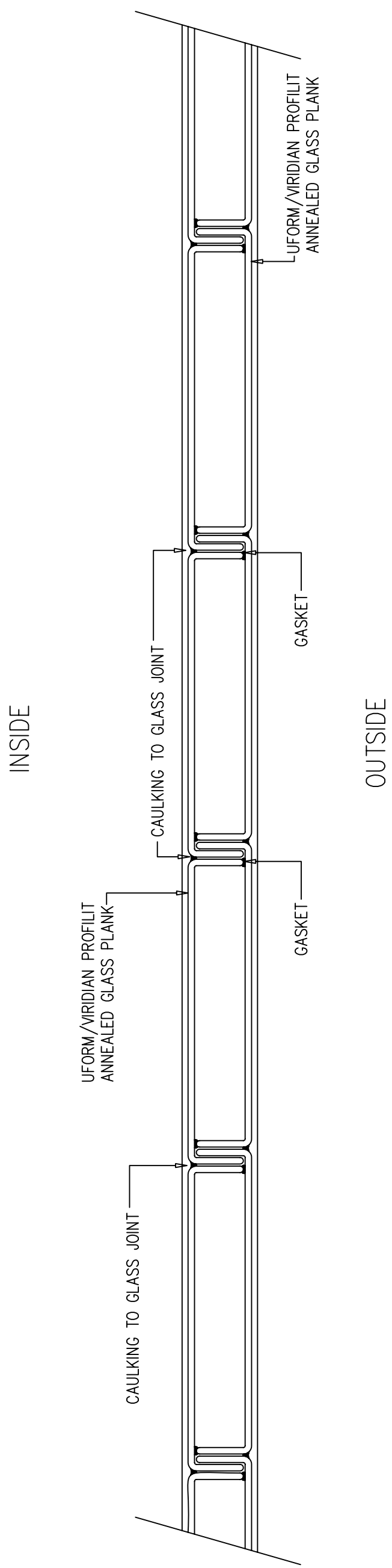
FORM
 GLASS WALLING SYSTEM
 Australia wide provider of Profilit™
 52 KILBY ROAD, KEW EAST
 Phone: (03) 9859 7511
 Fax: (03) 9859 7522

Project	STANDARD DETAILS
Title	PROFILIT HEAD & SILL DETAILS

Builder	-
Architect	STANDARD DETAILS

Material	PILKINGTON PROFILIT K32/60/7
Colour	-

Job No.	K32/10/01	Scale	1:2 @ A3
Drawn	-	Tolerance	3 MM
Drawing No. / Panel No.	SK. 11	Date	12-03-2010
		REVISION	



TYPICAL PROFILIT GLASS PLANK LAYOUT

Rev	Date	By	Revisions
-	-	-	-
-	-	-	-
-	-	-	-
-	-	-	-
-	-	-	-
-	-	-	-

Job No.	K32/10/01	Scale	1:5 @ A3
Drawn	-	Tolerance	3 MM
Date	12-03-2010	Date	12-03-2010
Drawing No. / Panel No.	SK. 12	REVISION	

Material	PILKINGTON PROFILIT K32/60/7
Colour	-

Builder	-
Architect	STANDARD DETAILS

Project	STANDARD DETAILS
Title	TYPICAL PROFILIT GLASS PLANK LAYOUT

52 KILBY ROAD, KEW EAST
 Phone: (03) 9859 7511
 Fax: (03) 9859 7522



FORM
 GLASS WALLING SYSTEM
 Australia wide provider of Profilit™